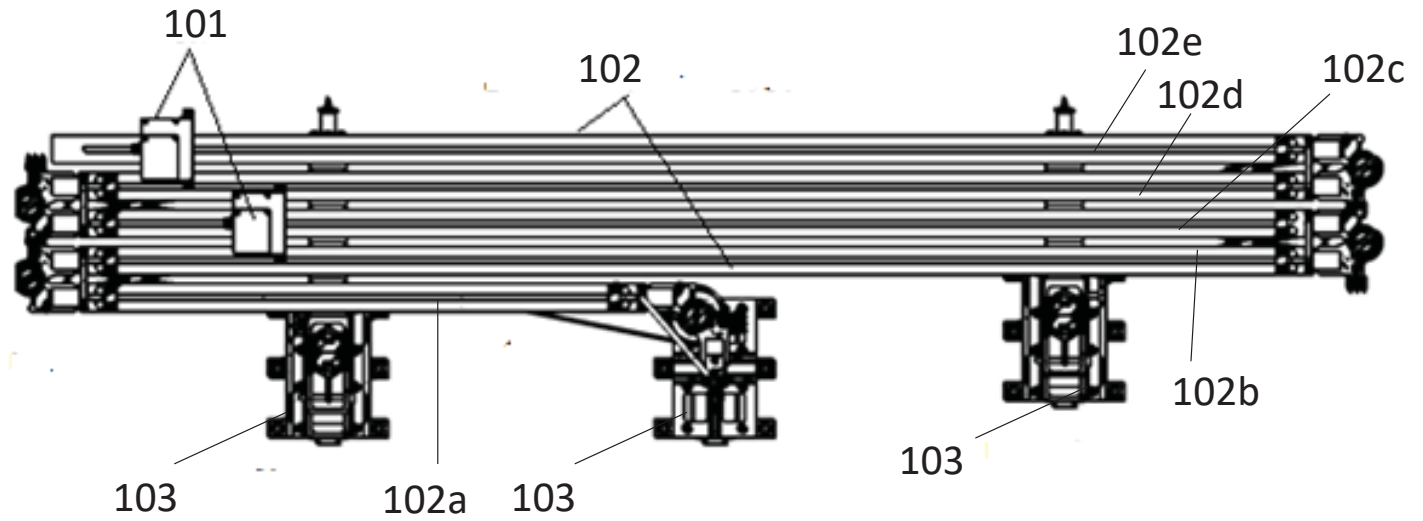



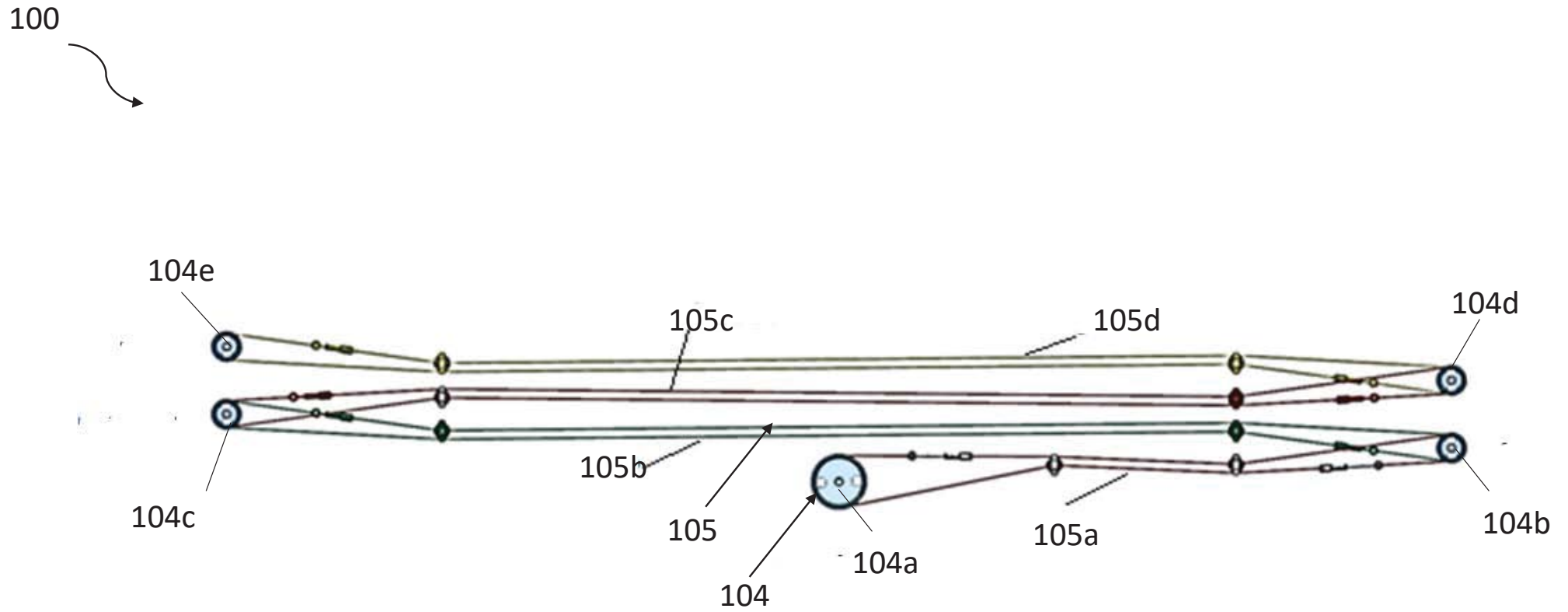
100



**FIGURE 1A**

*Manisha Singh*

Manisha Singh  
Agent for the Applicant [IN/PA-740]  
LEXORBIS



**FIGURE 1B**

*Manisha Singh*

Manisha Singh  
Agent for the Applicant [IN/PA-740]  
LEXORBIS

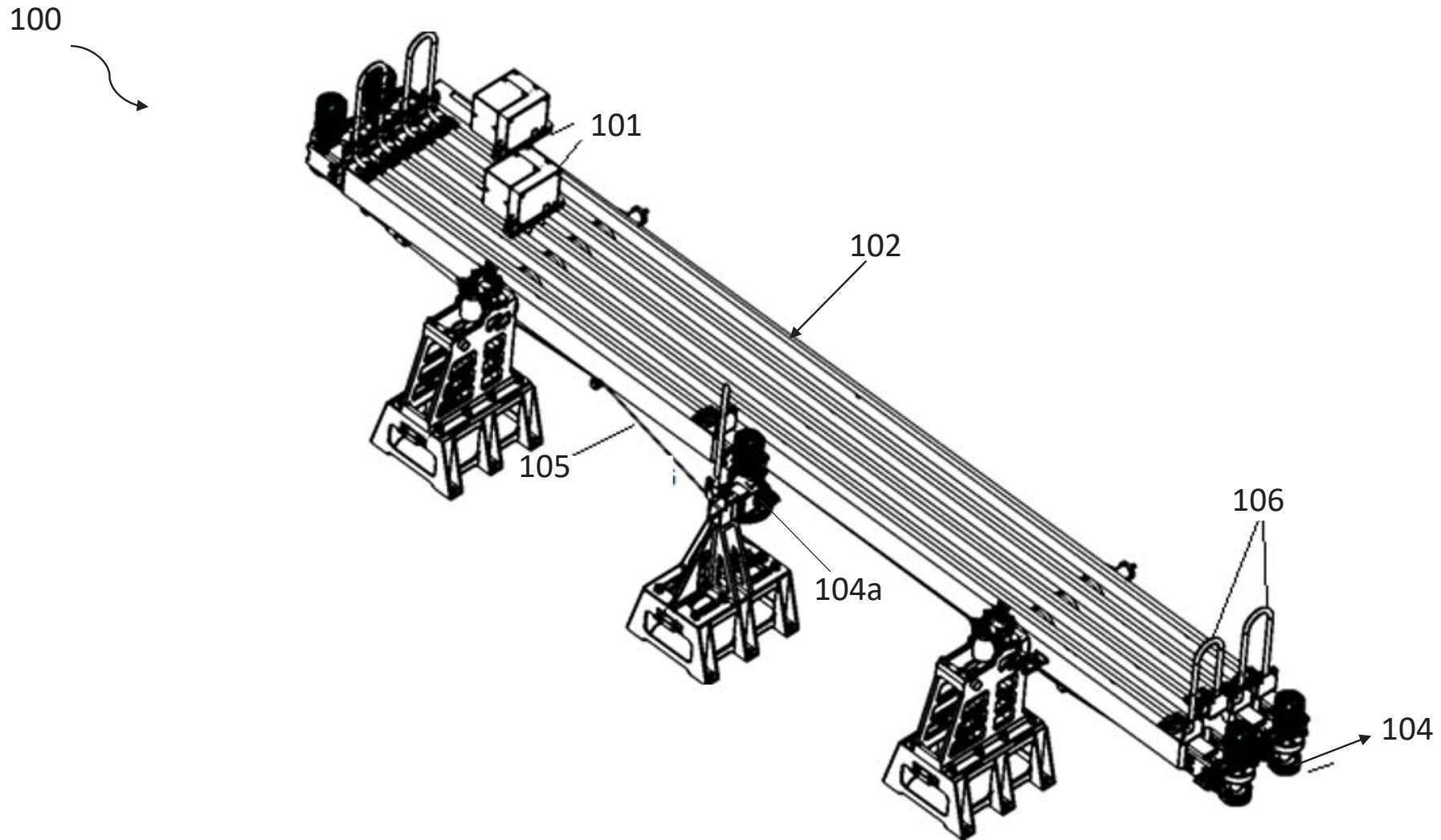


FIGURE 1C

*Manisha Singh*

Manisha Singh  
Agent for the Applicant [IN/PA-740]  
LEXORBIS

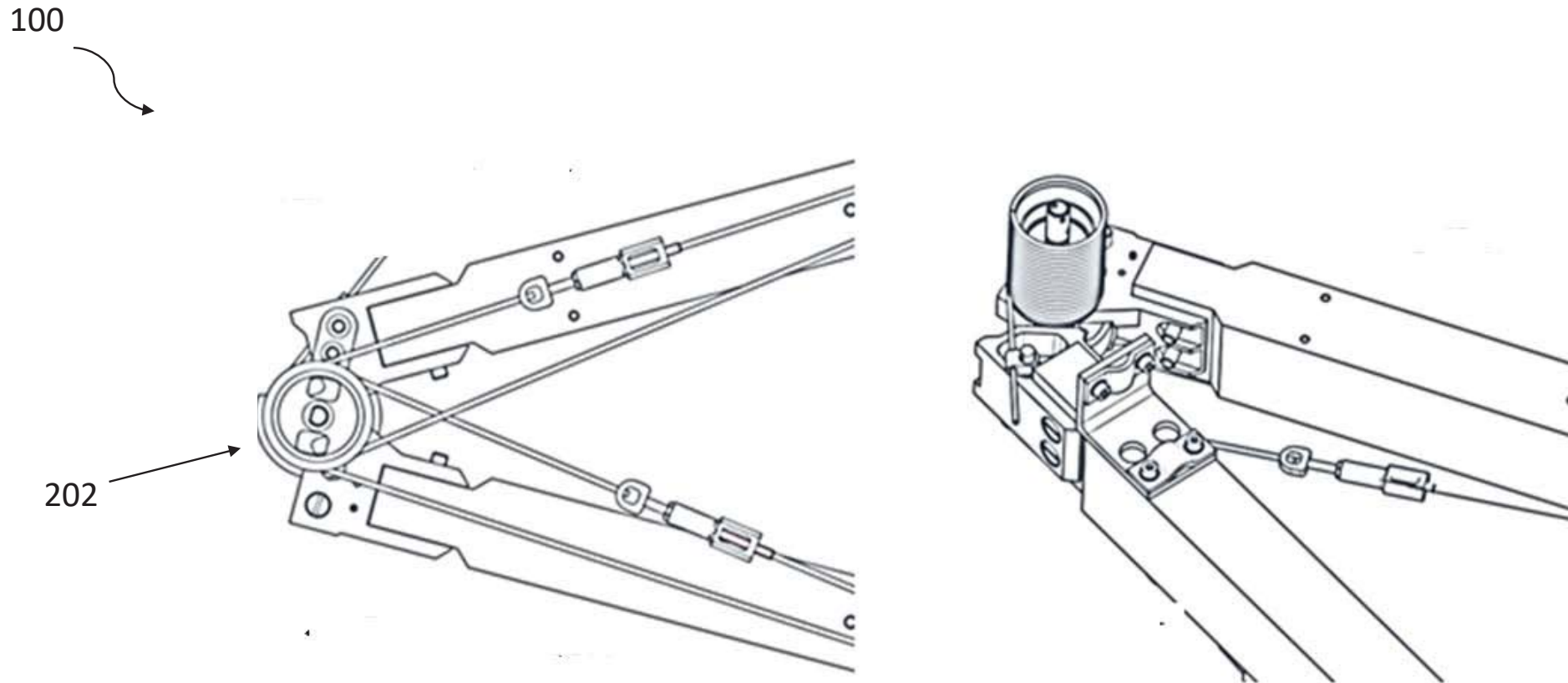


FIGURE 2A

*Manisha Singh*  
Manisha Singh  
Agent for the Applicant [IN/PA-740]  
LEXORBIS

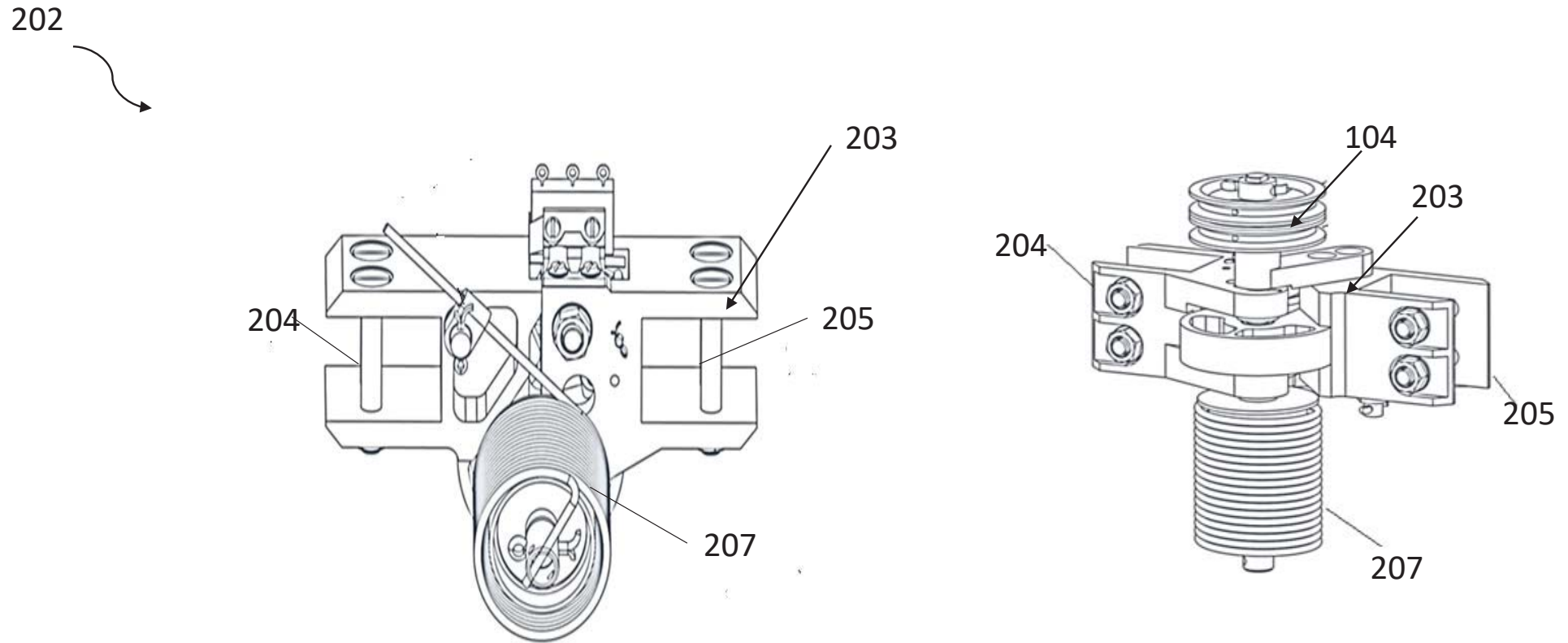


FIGURE 2B

*Manisha Singh*  
Manisha Singh  
Agent for the Applicant [IN/PA-740]  
LEXORBIS

202

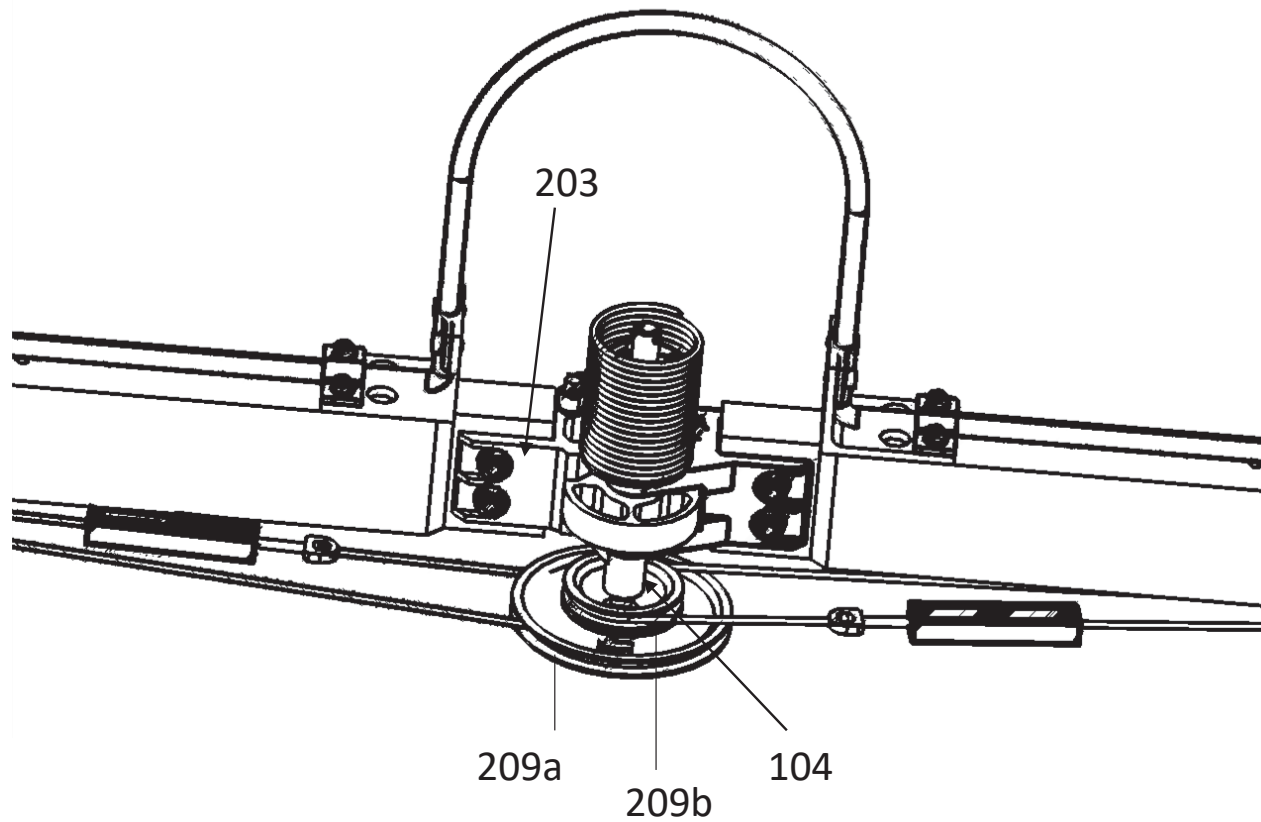


FIGURE 2C

*Manisha Singh*

Manisha Singh  
Agent for the Applicant [IN/PA-740]  
LEXORBIS

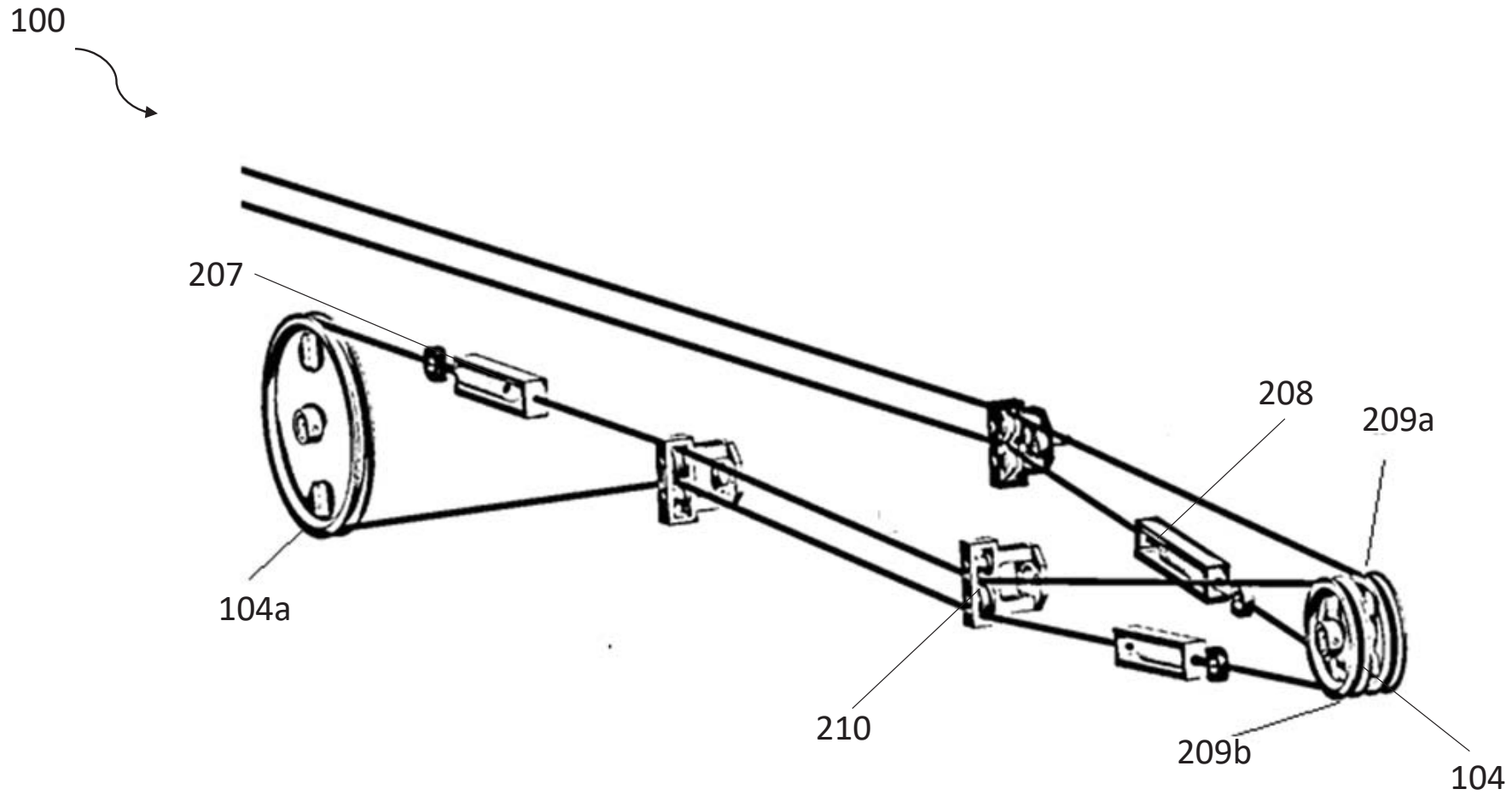
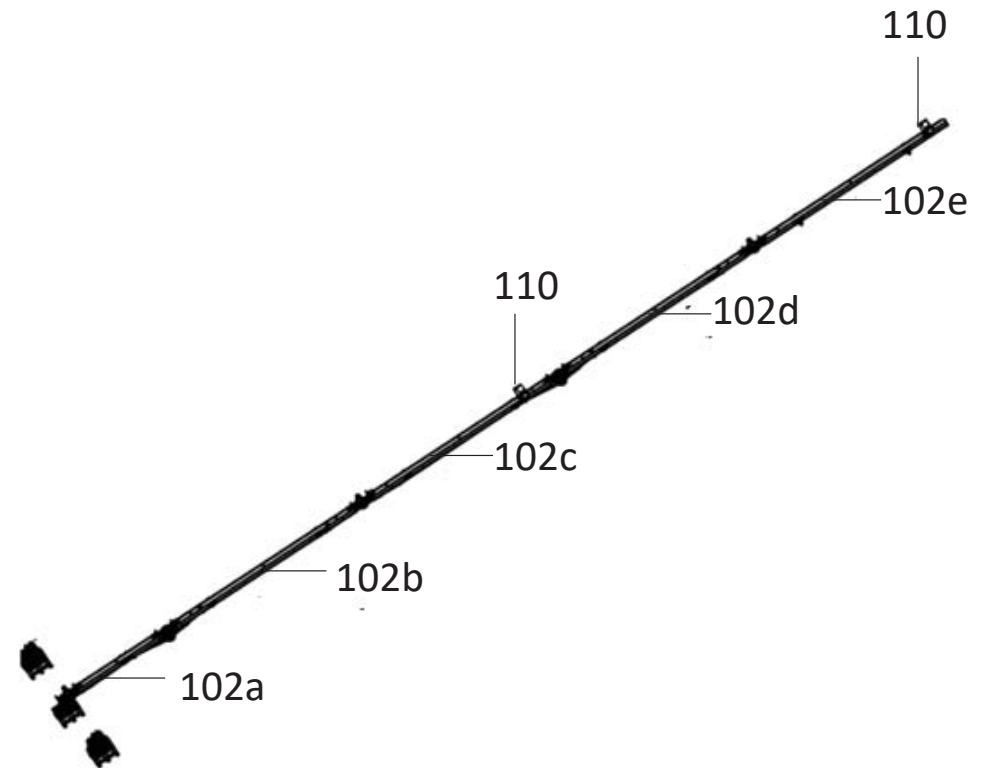
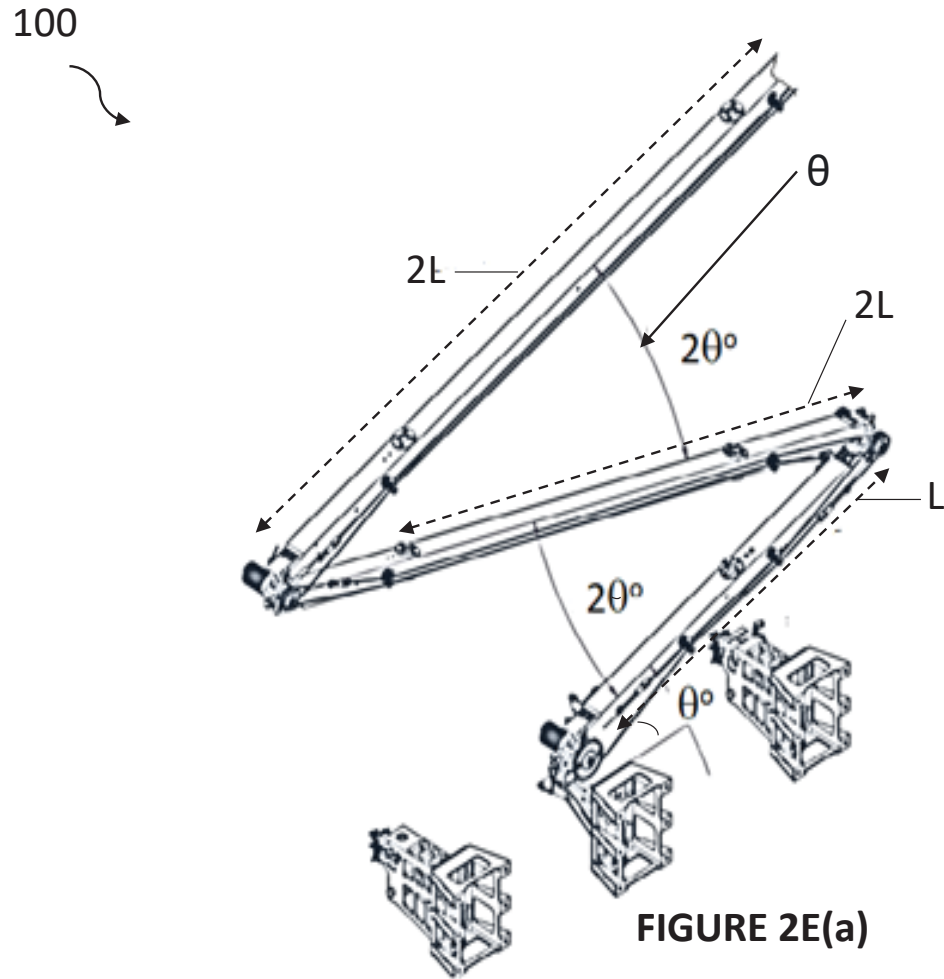


FIGURE 2D

*Manisha Singh*

Manisha Singh  
Agent for the Applicant [IN/PA-740]  
LEXORBIS



**FIGURE 2E**

*Manisha Singh*

Manisha Singh  
Agent for the Applicant [IN/PA-740]  
LEXORBIS



203  
↘

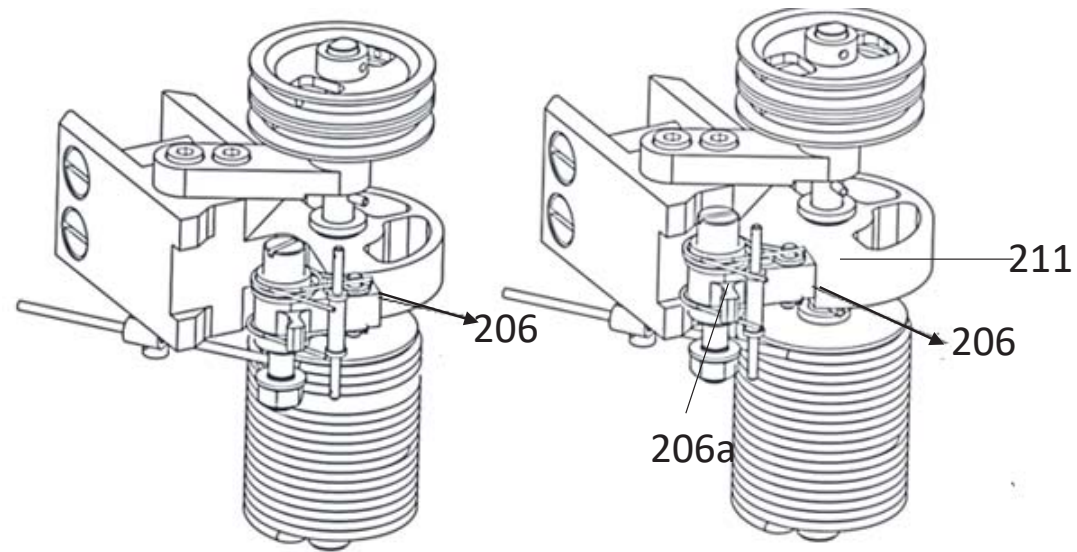


FIGURE 2F

*Manisha Singh*

Manisha Singh  
Agent for the Applicant [IN/PA-740]  
LEXORBIS